



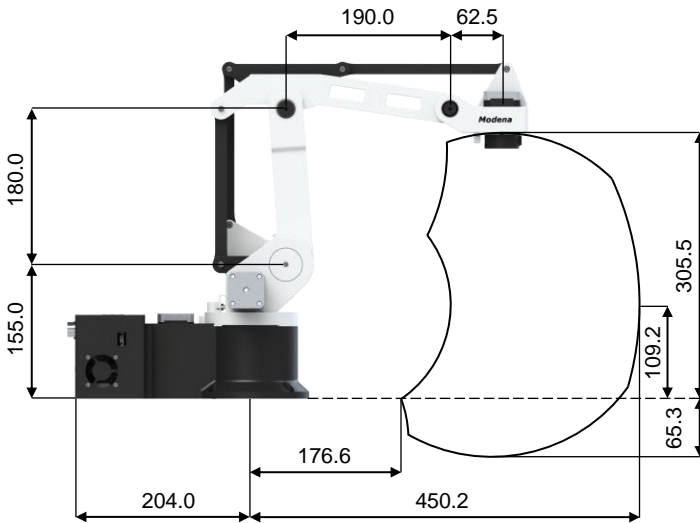
MODENA

MR-3



Technical Data

Model	MR-3
Number of Axis	4
Max. Reach	450 mm
Max. Payload	0,6 kg
Repeatability	± 0,05 mm
Weight	4,3 kg



Axis Data

Motion Range	J1	±180°
	J2	-20° / 85°
	J3	-50° / 50°
	J4	±180°
Max. Speed	J1	120°/s
	J2	90°/s
	J3	90°/s
	J4	360°/s

Mounting Dimensions

